

VISION-3 LIGHTING

In Grade Stake Mount **MODEL MO1**
 12/120/230/277V, 75W Max., Transformer
 120-277V, 350mA, 500mA, or 700mA, LED Driver

Specifications

Housing

Stake and Junction housings made from corrosion resistant, thermoplastic PVC. Junction housing is supplied with two integral 1/2" slip fittings allowing for conduit connection, leak proof cable entry, and feed through wiring. (Conduit and cable not included).

Cap

Cap machined from 6061-T6 aluminum, C36000 brass, or 304 stainless steel. Cap contains a 1/2" NPS threaded mounting hole, and is locked to housing with three 18-8 stainless steel set screws.

Stem

Stems are machined from 6061-T6 aluminum, C36000 brass, or 304 stainless steel; and are threaded 1/2" NPS on both ends. Stem option available in lengths of 3", 6", 12", 18", 24", 30", 36", 42", and 48".

Seals

O-ring groove on cap allows for use of an O-ring to prevent leaking between cap and fixture knuckle. (Note: All Vision3 fixtures come with a high temperature, black Viton O-ring on the knuckle for this purpose). On styles S3, S4, and S5, a silicone O-ring between the cap and housing ensures a watertight junction housing.

Finish

TGIC thermo set polyester powder coat paint available in 14 standard colors. On aluminum model, finish is applied over a corrosion resistant, hexavalent chromium free, RoHS compliant coating. Aluminum model available in one additional metal finish: Clear Anodized. Brass model available in three additional metal finishes: Natural, Polished, and Aged. Stainless steel model available in three additional metal finishes: Natural, Polished, and Brushed.

Electrical

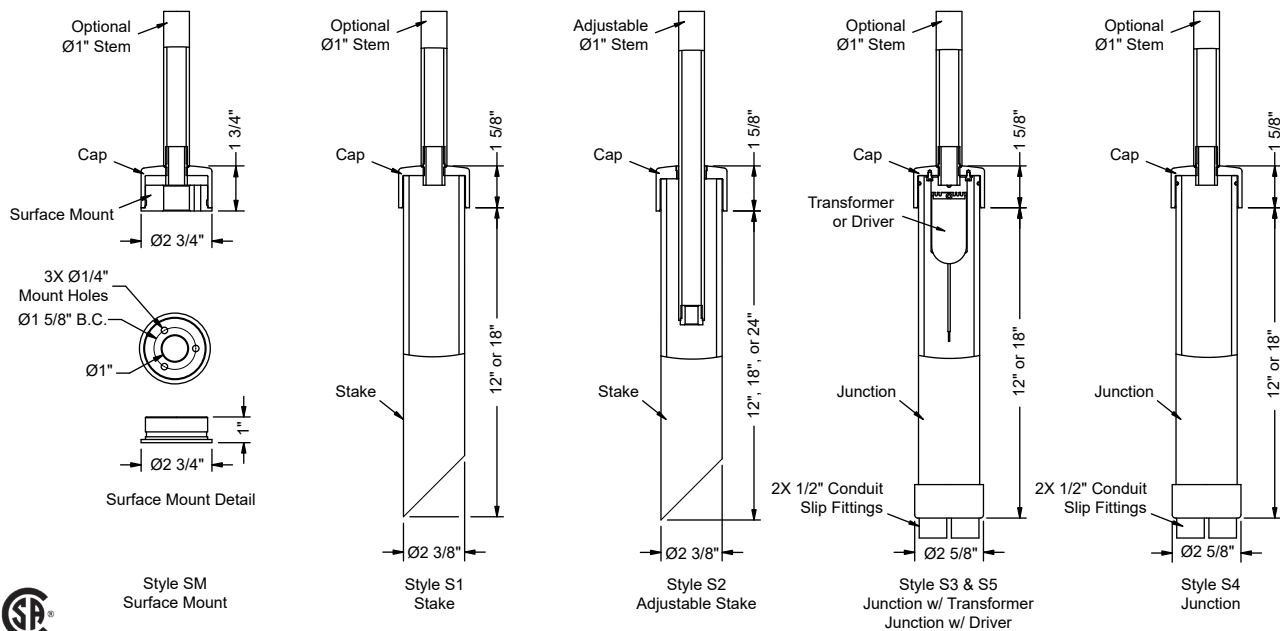
Style S0, SM, S1, S2, and S4 options: no power supply included.

Style S3 transformer options: includes a 75VA, 11.6VAC output, electronic transformer in 120, 230, or 277VAC input.

Style S5 LED driver options: includes a constant current (350mA, 500mA, or 700mA) LED driver with universal voltage input (120-277VAC) and three dimming options (0-10V, forward-phase, & reverse-phase). Drivers feature over-current, no-load, short-circuit, and over-temperature protection.

Certification

CSA tested & certified to US and Canadian safety standards for wet location landscape use per UL 1838 (all except 230V model).



Ordering Information

Model	Finish	Style	Transformer / Driver	Stem
MO1A - Aluminum MO1B - Brass MO1S - Stainless	Powder Coat Finishes: BLT - Textured Black BNT - Textured Bronze BAT - Textured Bark GRT - Textured Green GNT - Textured Granite SAT - Textured Sand PAT - Textured Patina EAT - Textured Earth Metal Finishes: CLA - Clear Anodized (MO1A only) NAT - Natural (MO1B & MO1S only) POL - Polished (MO1B & MO1S only) AGE - Aged (MO1B only)	S0 - No Mount (Cap Only) SM - Surface Mount S1-12 - 12" Stake (Available w/ up to 36" stem) S1-18 - 18" Stake (Available w/ up to 36" stem) S2-12 - 12" Adjustable Stake (Available w/ 12" stem only) S2-18 - 18" Adjustable Stake (Available w/ 18" stem only) S2-24 - 24" Adjustable Stake (Available w/ 24" to 48" stem) S3-12 - 12" Junction w/ Transformer (Available w/ up to 36" stem) ¹ S3-18 - 18" Junction w/ Transformer (Available w/ up to 36" stem) ¹ S4-12 - 12" Junction (Available w/ up to 36" stem) S4-18 - 18" Junction (Available w/ up to 36" stem) S5-12 - 12" Junction w/ LED Driver (Available w/ up to 36" stem) ² S5-18 - 18" Junction w/ LED Driver (Available w/ up to 36" stem) ²	None (Styles S1, S2, and S4 only): 0 - No Transformer / Driver Transformer (Style S3 only): 120 - 120V 230 - 230V ¹ 277 - 277V ¹ LED Driver (Style S5 only): 15-UNV-350-TRI - 15W max, 120-277V, 350mA 30-UNV-500-TRI - 30W max, 120-277V, 500mA 30-UNV-700-TRI - 30W max, 120-277V, 700mA	0 - No Stem 3 - 3" Stem 6 - 6" Stem 12 - 12" Stem 18 - 18" Stem 24 - 24" Stem 30 - 30" Stem 36 - 36" Stem 42 - 42" Stem 48 - 48" Stem

Notes:
 1. Style S3 with 230V and 277V input options may not be completely compatible with Vision3 lighting fixtures with integral LED module. Contact V3 for transformer compatibility info if these options are being used with a V3 LED fixture.
 2. Style S5 is for use with Vision3 COB LED fixtures (specified separately).
 3. Specifications, certifications, and ordering information are subject to change. Please check website for latest specification sheets.

Example: **MO1B - POL - S5-12 - 30-UNV-500-TRI - 6**